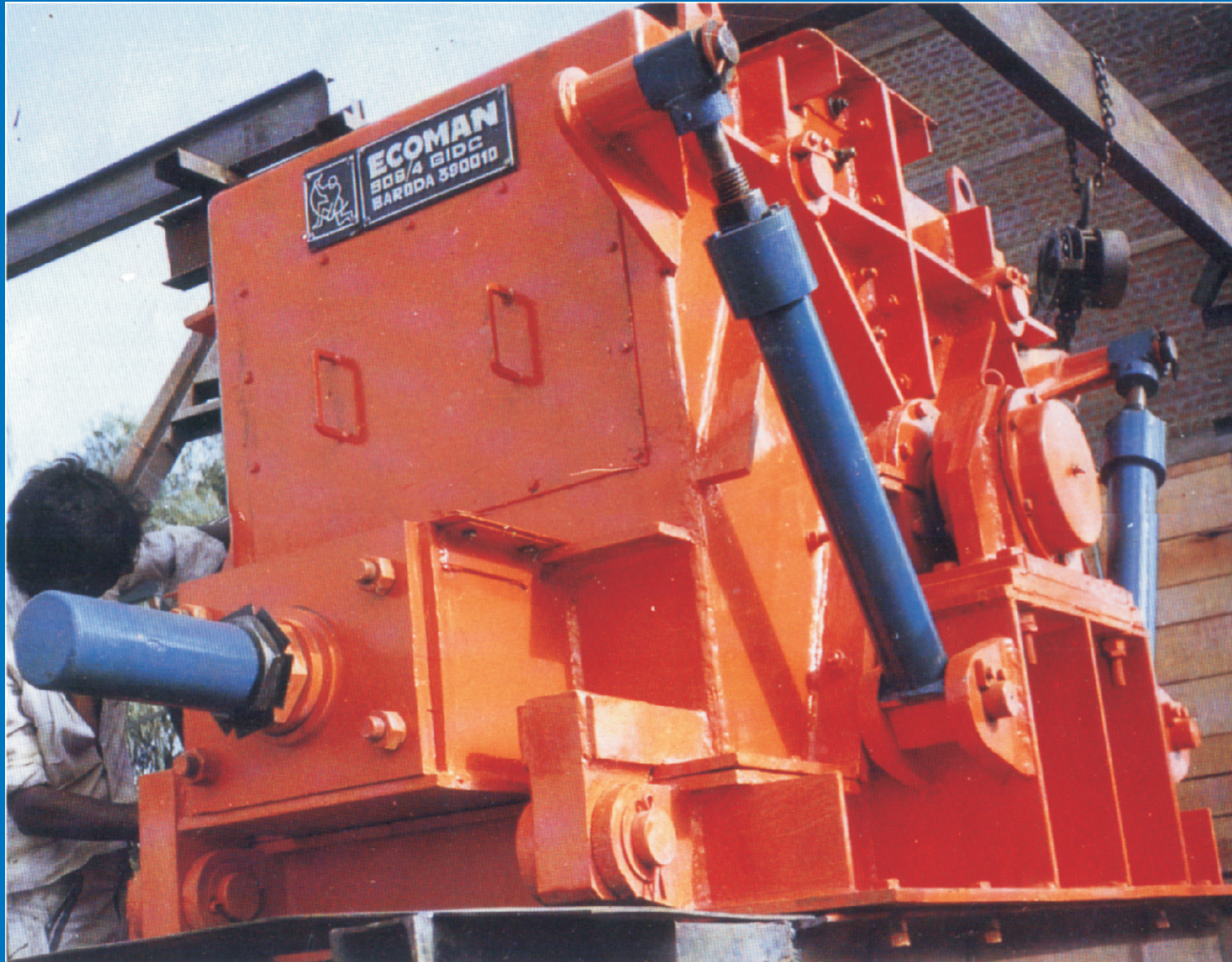


# TURNKEY PROJECTS UPTO 400 T.P.H.

AGGREGATE MANUFACTURING PLANTS FOR CUBICAL AGGREGATES & SAND MANUFACTURING PLANTS

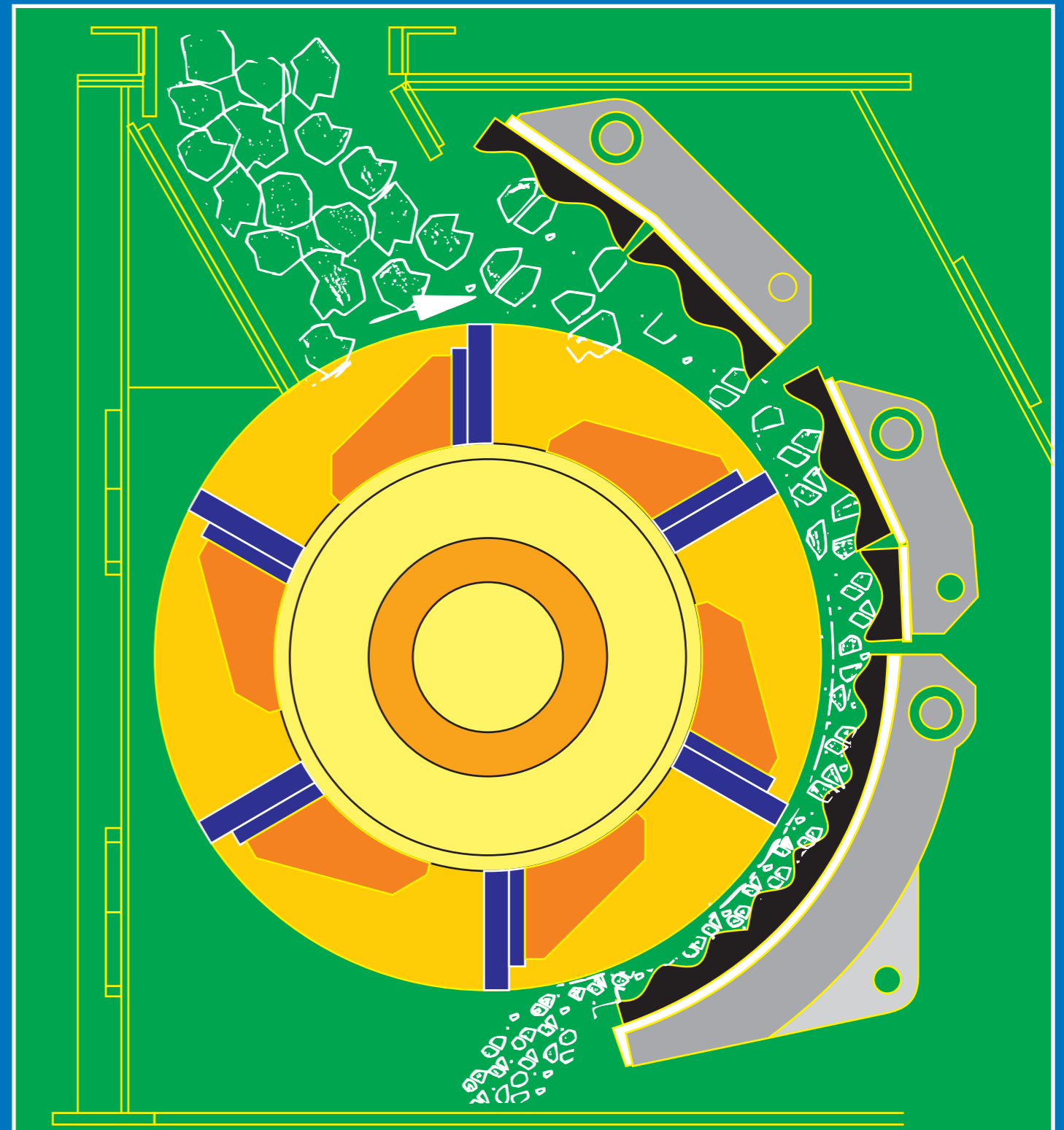


## MANUFACTURERS OF :

- JAW CRUSHERS
- IMPACTORS
- VERTICAL SHAFT IMPACTOR (V.S.I.)
- HAMMER MILLS
- BALL MILLS
- VIBRATING SCREENS
- SINGLE ROLL CRUSHERS
- TOOTHED DOUBLE ROLL CRUSHERS
- CONVEYERS
- FEEDERS & COMPLETE TURNKEY PLANTS

HIMALI # 3234540

## Non-Reversible COAL IMPACTOR (SLOW -SPEED)



PERFECTION IN SIZE REDUCTION TECHNOLOGY



# ECOMAN

PERFECTION IN SIZE REDUCTION TECHNOLOGY  
**ECOMAN**

D1/D2, Vishwamitridham, Behind Railway Colony,  
Vishwamitri, Vadodara - 390 011. Gujarat, INDIA.  
Ph. : 0265-2661846/2660401 Fax : 0265-2661297  
E-mail : info@ecomanindia.com



## Coal Impactors (Slow Speed - Less Fines)

### Application :

ECOMAN's Impactors are manufactured for crushing brittle & soft materials like Limestone, Slag, Coal, Gypsum etc.

Impactors are considered to be very suitable, because of **Following Technical features.**

1. Very High Throughputs
2. Reduction Ratios, Higher than 10 and are normal.
3. Maximum Operational Reliability.
4. Easy Maintenance.

### Description :

In an fabricated enclosure adjustable 2-3 breaker plates (sometimes spring loaded) are suspended. A massive rotor, with high rotational inertia, has been fitted with 2 to 6 blow bars, rotates with velocity of 25M/sec. to 35/M/sec. Material is fed at an angle & at a position, on to rotor in such a way that Blow-bars, almost without losing their R.P.M., hit the material with such an impact that material shatters in the space before hitting the breaker-walli. Further crushing takes place, after the material hits against the breaker-plate. Rebounded Material is again impacted back on to breaker plate for further crushing. As the material breaks due to Impact & due to input of more kinetic energy, material breaks equally in all directions giving cubical product.

Product grain distribution / analysis depends mainly on rotor speed and can be further adjusted by breaker plate setting. In order to prevent possible damages caused by foreign bodies (like metals), breaker plates are spring loaded.

### Construction :

Impactor consists of following main parts :

1. Rotor Assembly with blow Bars, Bearings & flywheel.
2. Lower Body.
3. Upper body with feeding chute.
4. Upper body rear side

### Rotor Assembly :

Is mounted inside the steel fabricated Housing is mounted on heavy duty over dimensions self aligning roller bearings, mounted in steel pedestals, with labyrinth seals. Flywheel is keyed to shaft, or fixed to shaft through shear-pin arrangement.

### Blow Bars :

Massive blow bars made of wear resistant steel & having very high toughness, are fixed to body of the rotor by means of special forged high tensile bolt, so that they can be easily adjusted and if required can be replaced, in very short time.

### Rotor Body :

is a very heavy fabricated body, welded with high tensile electrodes and stress relieved. Rotor body is very accurately machined & mounted on main shaft of the Impactor.

### Rotor Shaft :

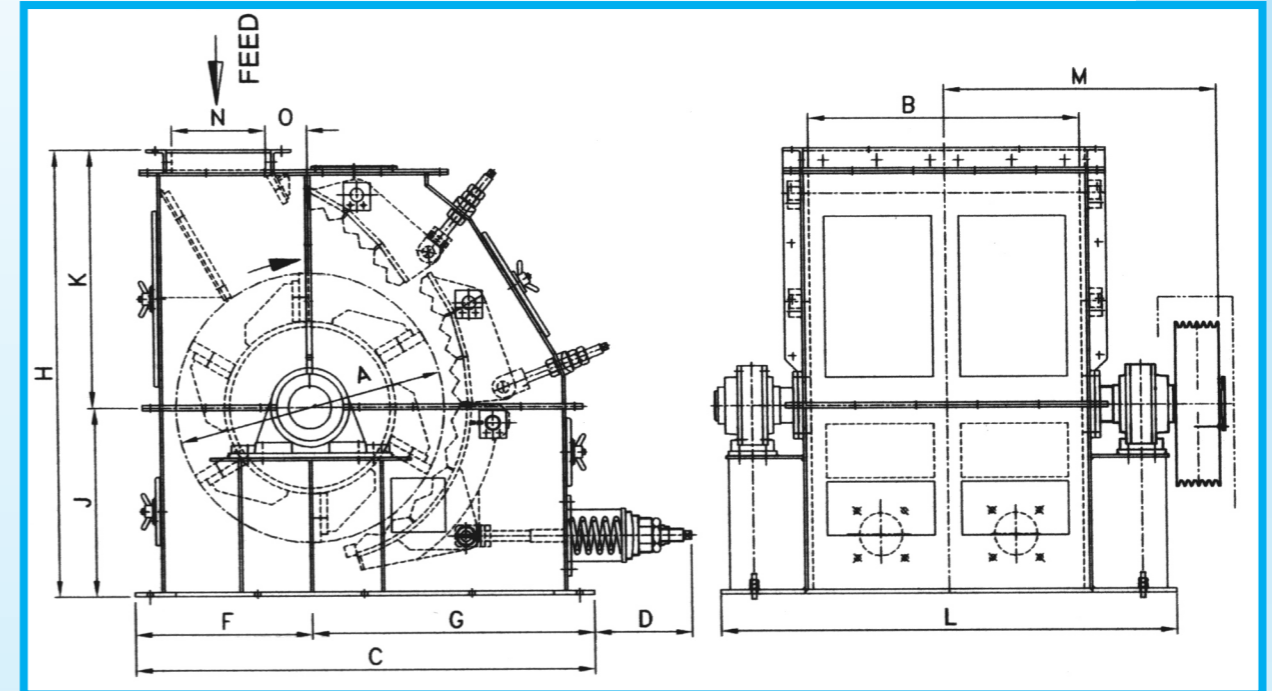
is made of high tensile, heat treated alloy steel forging, duly stress relieved and accurately machined & ultrasonically tested for hair line cracks.

### Breaker Plates :

Made of wear resistant steel and are mounted on fabricated stock. Duly machined & stress relieved. Breaker plates are fixed to break plate stocks by special forged high tensile bolts.



## NON-REVERSIBLE SLOW SPEED COAL IMPACTOR



DIMENSIONS														
SIZE	AØ	B	C	D	F	G	H	J	K	L	M	N	O	Weight
1508/6	800	600	1535	300	535	950	1350	550	800	1250	761	350	95	2500
1508/8	800	800	1535	300	535	950	1350	550	800	1450	861	350	95	3400
1510/8	1000	800	1710	300	655	1055	1660	700	960	1500	916	350	160	4500
1510	1000	1000	1710	300	655	1055	1660	700	960	1700	1016	350	160	5500
1510/12	1000	1200	1710	300	655	1055	1660	700	960	1900	1116	350	160	6200
1512/10	1200	1000	1960	350	805	1155	1935	800	1135	1700	1098	400	255	6500
1512	1200	1200	1960	350	805	1155	1935	800	1135	1900	1198	400	255	7500
1512/14	1200	1400	1960	350	805	1155	1935	800	1135	2100	1298	400	255	8500
1514	1400	1400	2200	350	925	1275	2150	910	1240	2100	1298	500	300	10400
1514/16	1400	1600	2200	350	925	1275	2150	910	1240	2300	1398	500	300	12200
1516	1600	1600	2450	350	1050	1400	2400	1020	1380	2300	1448	600	300	14500
1516/20	1600	2000	2450	350	1050	1400	2400	1020	1380	2800	1698	600	300	18200

**DIMENSIONS & RATINGS INDICATIVE  
NOT BINDING**